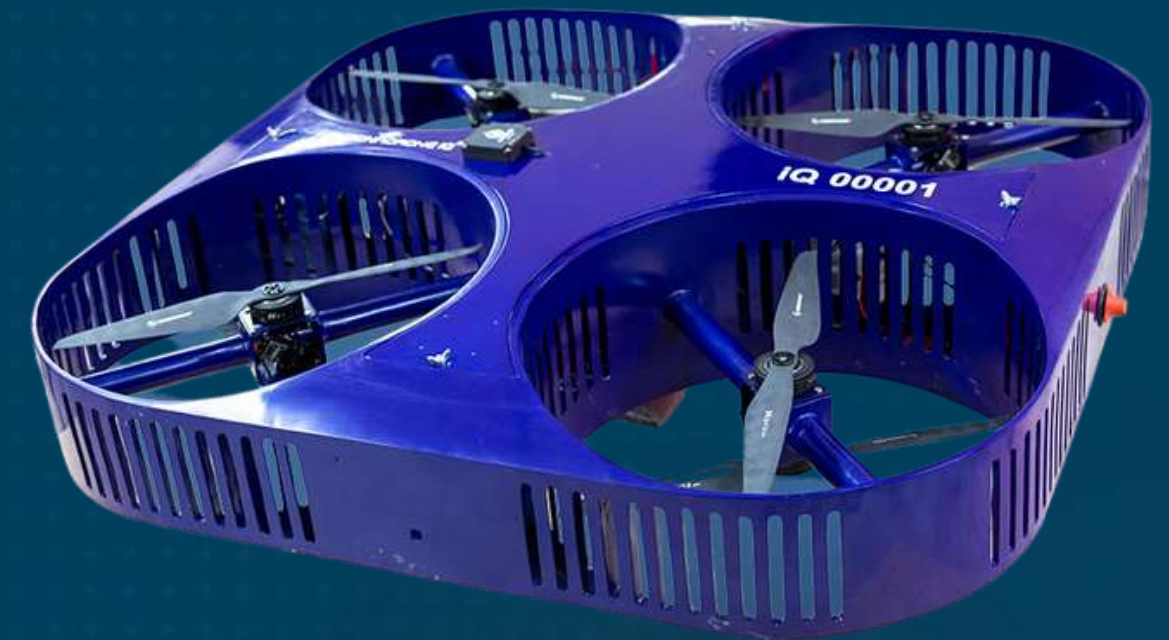


NASDAQ: ZENA | FSE: 49Q

TRANSFORMING INDUSTRIES WITH AI DRONES, DRONE as a SERVICE & QUANTUM COMPUTING

Investor Presentation – April 2026

zenatech.com



SAFE HARBOR STATEMENT

This presentation and related comments by management of ZenaTech, Inc. include “forward-looking statements” within the meaning of U.S. federal securities laws and applicable Canadian securities laws. These forward-looking statements are subject to the safe harbor provisions under the Private Securities Litigation Reform Act of 1995. This forward-looking information relates to future events or future performance of ZenaTech and reflects management’s expectations and projections regarding ZenaTech’s growth, results of operations, performance, and business prospects and opportunities.

Such forward-looking statements reflect management’s current beliefs and are based on information currently available to management. In some cases, forward-looking information can be identified by terminology such as “may”, “will”, “should”, “expect”, “plan”, “anticipate”, “aim”, “seek”, “is/are likely to”, “believe”, “estimate”, “predict”, “potential”, “continue” or the negative of these terms or other comparable terminology intended to identify forward-looking statements.

Forward-looking information in this document includes, but is not limited to ZenaTech’s expectations regarding its revenue, expenses, production, operations, costs, cash flows, and future growth; expectations with respect to future production costs and capacity; ZenaTech’s ability to deliver products to the market as currently contemplated, including its drone products including ZenaDrone 1000, IQ Aqua, IQ Square, IQ Nano, IQ Quad, Interceptor P-1, ZenaDrone 2000, and IQ Glider; ZenaTech’s ability to develop products for markets as currently contemplated; ZenaTech’s anticipated cash needs and its needs for additional financing; ZenaTech’s intention to grow the business and its operations and execution risk; expectations with respect to future operations and costs; the volatility of stock prices and market conditions in the industries in which ZenaTech operates; political, economic, environmental, tax, security, and other risks associated with operating in emerging markets; regulatory risks; unfavorable publicity or consumer perception; difficulty in forecasting industry trends; the ability to hire key personnel; the competitive conditions of the industry and the competitive and business strategies of ZenaTech; ZenaTech’s expected business objectives for the next twelve months.

ZenaTech’s ability to obtain additional funds through the sale of equity or debt commitments; investment capital and market share; the ability to complete any contemplated acquisitions; changes in the target markets; market uncertainty; ability to access additional capital, including through the listing of its securities in various jurisdictions; management of growth (plans and timing for expansion); patent infringement; litigation; applicable laws, regulations, and any amendments affecting the business of ZenaTech and other related risks and uncertainties disclosed under the heading “Risk Factors” in the Company’s Form F-1, Form 20-F and other filings filed with the United States Securities and Exchange Commission (the “SEC”) on EDGAR through the SEC’s website at www.sec.gov.

The Company undertakes no obligation to update forward-looking information except as required by applicable law. Such forward-looking information represents managements’ best judgment based on information currently available. No forward-looking statement can be guaranteed and actual future results may vary materially. Accordingly, readers are advised not to place undue reliance on forward-looking statements or information.

ABOUT ZENATECH

- AI Autonomous Drone Solutions for Business, Government & Defense at Pilot/Commercialization Stage
- Growing a Drone as a Service AI Autonomy Platform for Inspections, Surveys & Field Operations
- Enterprise SaaS Software, Multiple Brands & Recurring Revenue
- Sales & Operations Across North America, Europe, UAE, and Taiwan
- Three Manufacturing Facilities in UAE, Arizona and Taiwan



**For Graphic Reference Only*

INVESTMENT HIGHLIGHTS

- Vertically Integrated AI Autonomy Platform– HW, SW, Services for recurring revenue & higher lifetime value
- Positioned for Defense, AI & Security– Rapidly growing global demand
- Scalable Drone as a Service Roll-up Model– Acquiring, Upgrading, Accelerating Growth & Margin Expansion
- Enterprise SaaS business, high margin, recurring revenue, strategic strength



**For Graphic Reference Only*

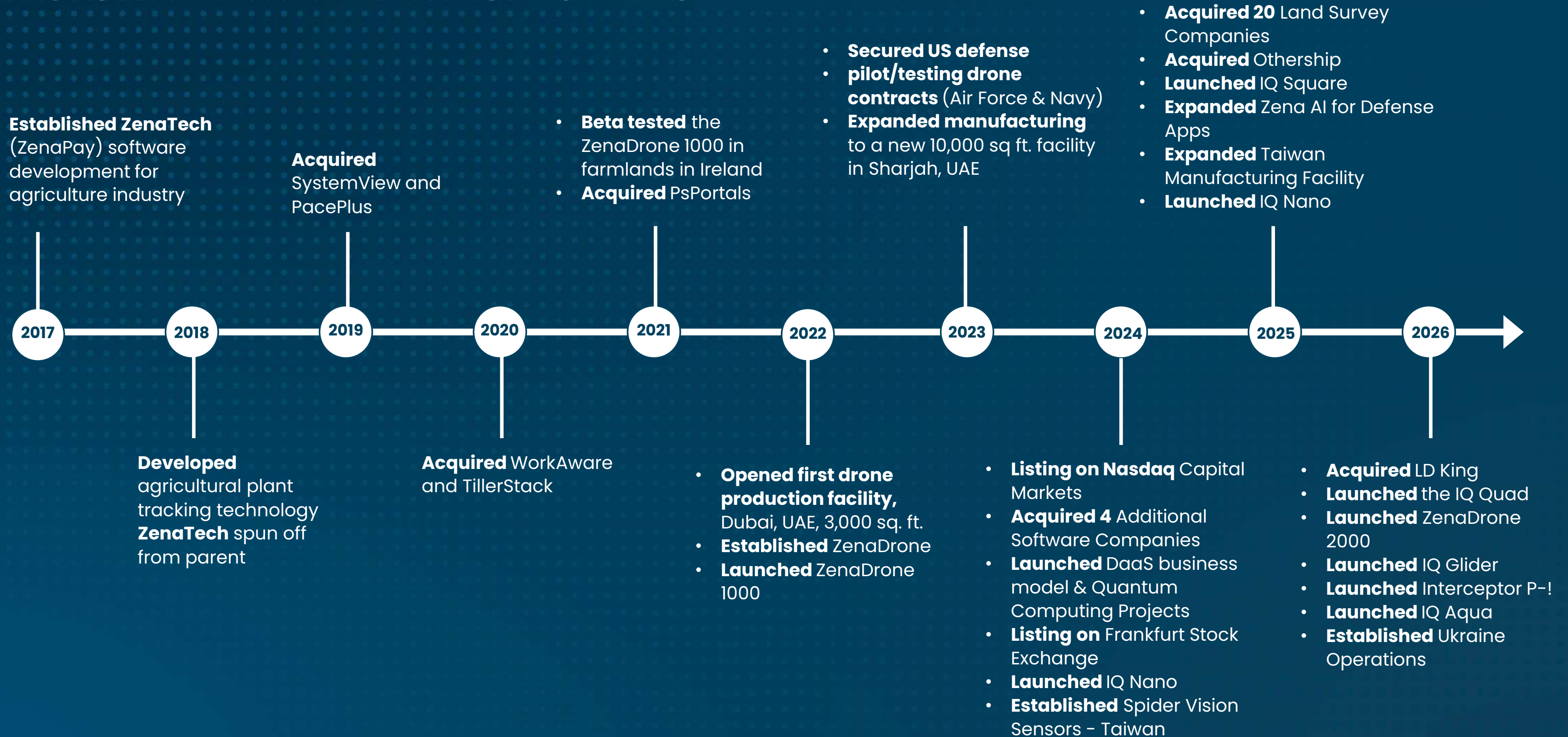
CAPITALIZATION SUMMARY

| Stock Symbol | NASDAQ: ZENA FSE: 49Q |
|---|-------------------------|
| Stock Price (As of 04/06/26) | \$2.31 |
| Common Shares Outstanding | 56,310,885 |
| Market Capitalization | \$130M |
| Warrants Outstanding | 1,995,551 |
| Over 60% of shares owned by Founder, Insiders | |



**For Graphic Reference Only*

COMPANY MILESTONES



GEOGRAPHIC PRESENCE



Drone as a Service Offices

ZenaDrone Manufacturing Facility

ZenaTech Offices

ZENATECH REVENUE MODELS



| Enterprise SaaS Software | Drone as a Service | Drone Solutions for Government and Defense |
|--|--|--|
| <ul style="list-style-type: none">• SaaS – Annual license• Support & Maintenance• Custom Software• Professional Services• Training | <ul style="list-style-type: none">• Annual subscription membership• Usage or per job fee• Drone management fee• Hardware/software application customization• Data and Analytics services | <ul style="list-style-type: none">• Drone management fee• Drone hardware and accessory sales• Drone software license• Drone warrantee (hardware and accessory replacement)• Hardware/software customization• Premium AI or Analytics services• Software maintenance and support• Professional services & training |

THIRD QUARTER RESULTS

Record Revenue: Q3 2025 revenue \$4.35M, a 1,225% increase from Q3 2024

Nine-Month Growth Momentum: \$7.73M for first nine months, verses \$2M at year-end 2024

Continued Successful Market Diversification: Drone as a Service contributed \$3.57M in revenue and \$776,000 from enterprise SaaS division

Robust Balance Sheet: Cash reserves and marketable securities increased to \$19.5 M as of September 30, 2025, up from \$3.75M at year-end 2024

Strategic Acquisitions: Completed 20 US land surveying company acquisitions in 2025, creating a nationwide/global platform for drone-powered surveying, inspections, inventory management, power wash and other business/government services

Defense Business: Submitted applications for Green UAS, pathway to Blue UAS/verified government supplier, active engagement with key defense program managers to secure government pilots and future contracts, building Zena AI division for advanced US military AI drone applications.



*For Graphic Reference Only

TECH DEFENSE BUSINESS STRATEGY

compliant supply chain, pathway Green → Blue UAS

tion

ed manufacturing and assembly aligned with 'Made in

' requirements

ne platforms designed for ISR, inspection, cargo

, and GPS-denied missions

ngagement via Washington, D.C. area office and

2026 field pilots

ng U.S. policy tailwinds and expanding US defense

for domestic drones

ned Zena AI R&D division in Baton Rouge, LA for

ed defense AI applications

Counter UAS Defense System

es- ZenaDrone 2000 Maritime Interceptor drone, P-1

tor and IQ Glider Marine launch station

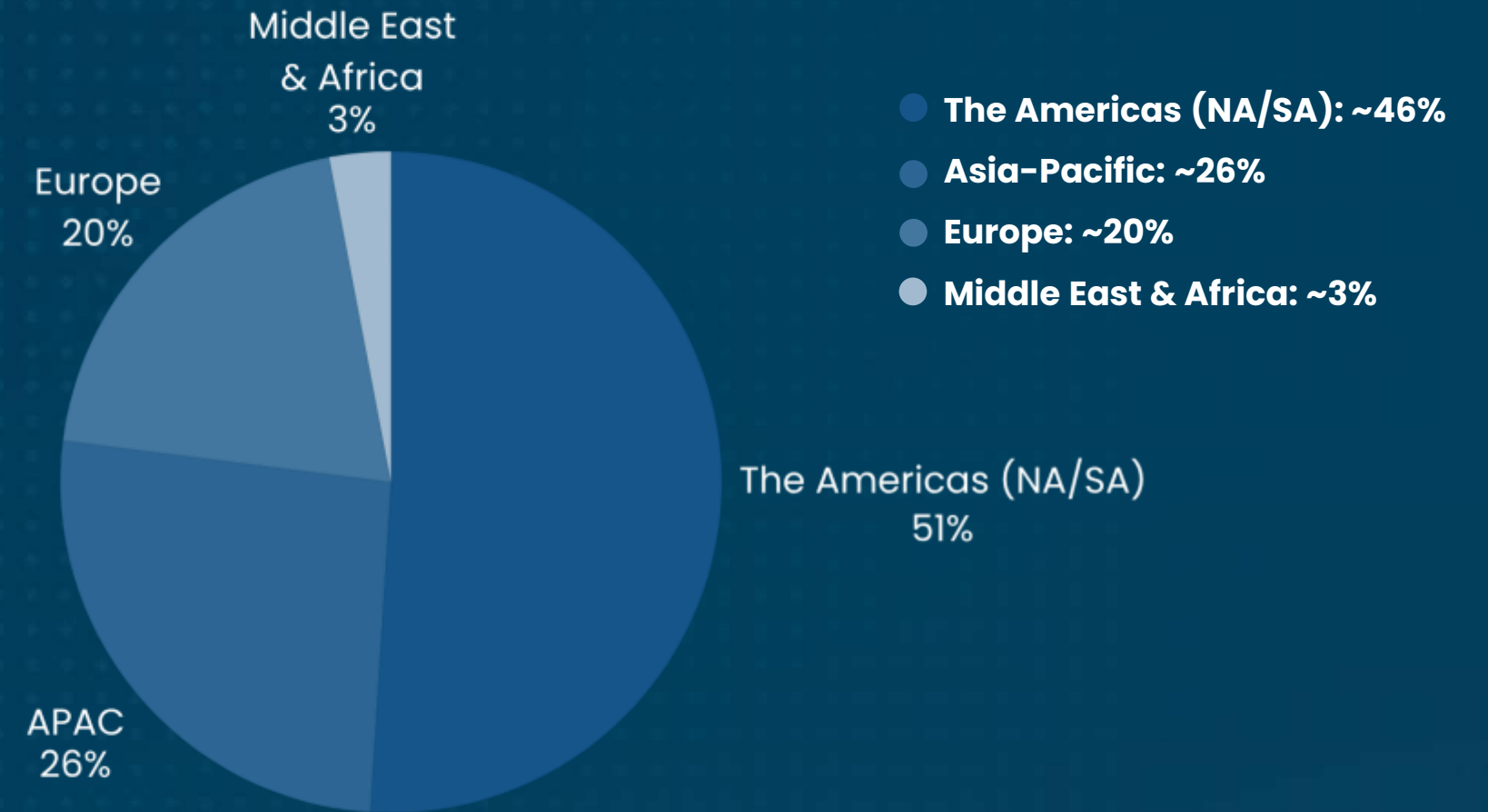


GLOBAL DRONE MARKET



Drone as a Service Market Size

Geographic Breakdown



Industry Drivers

- FAA & DoW- historic policy directives positively impacting US drone makers, streamlining procurement and opening up more airspace
- Tech innovation- drone batteries, lighter fuselage, AI and quantum, drone swarms
- US government policy shifts banning foreign made drones & components that currently dominate the industry

Source Industry Drivers/Sector size- Drone Life.com report on where the industry will grow the fastest by 2030- at 22/09/06, Military Drone market from Fortune Business Insights Research

THE DEFENSE DRONE OPPORTUNITY



\$13.4B

DoW FY2026 Autonomy Budget

\$87.6B

Global Military Drone Market by 2030

25.1%

Counter-UAS CAGR 2025 – 2030

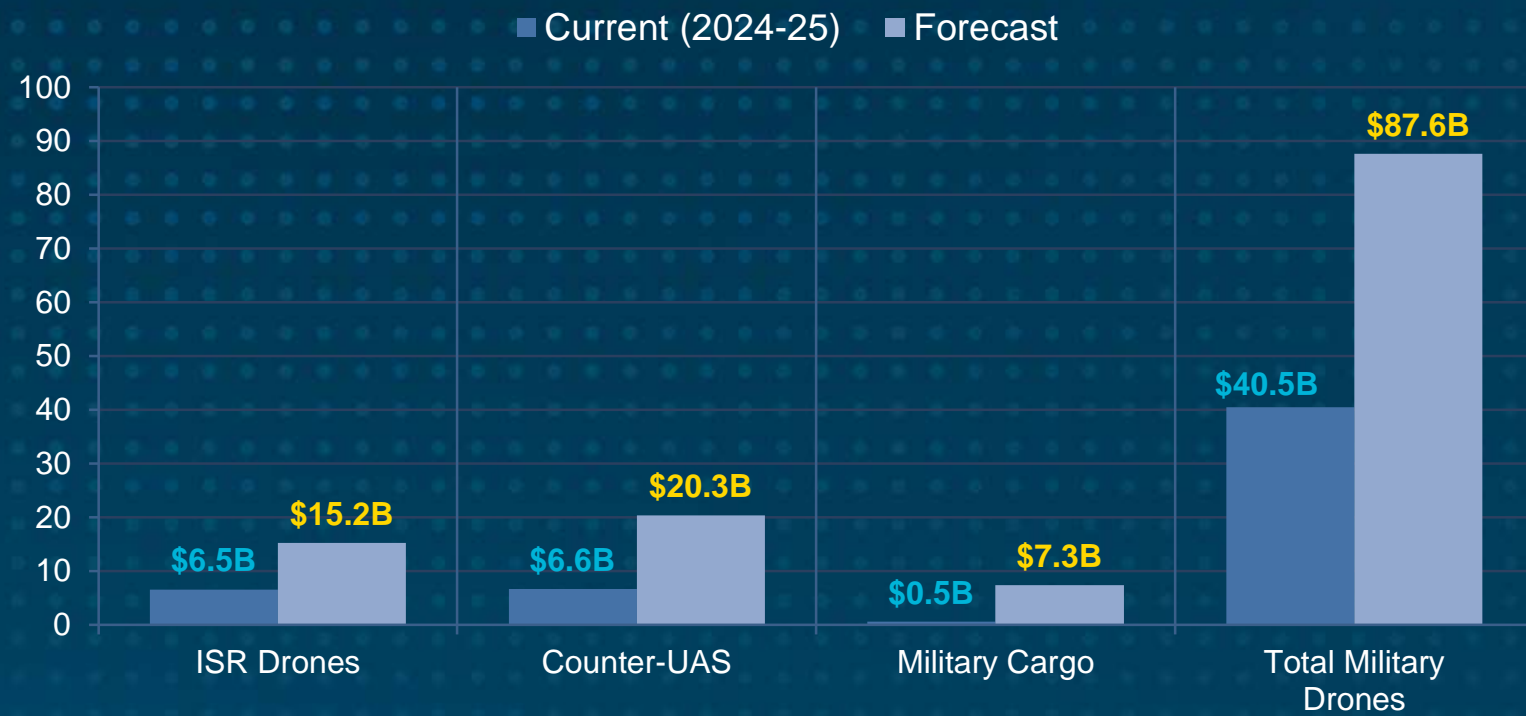
~10

Blue UAS Cleared List, Drone Manufacturers
Today

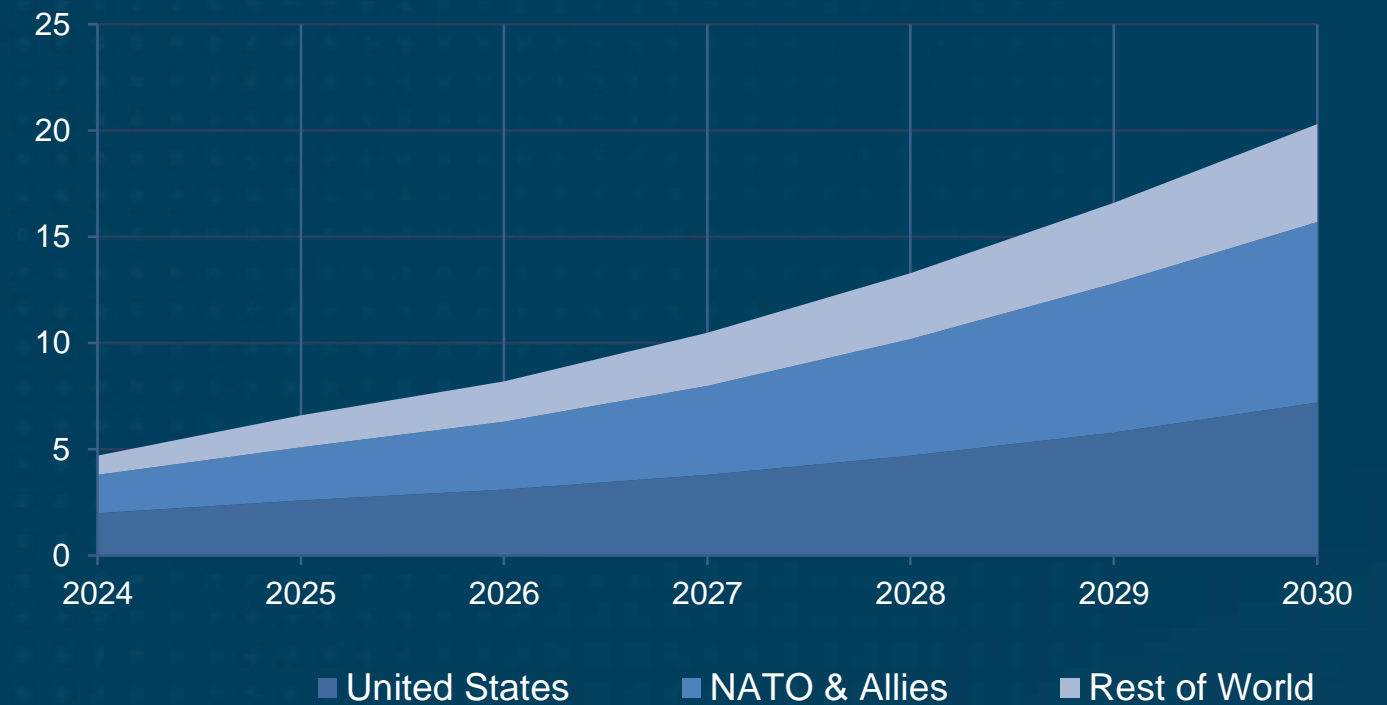
Source: Defense Scope | Defense One

MARKET LANDSCAPE – MASSIVE, MULTI-SEGMENT & ACCELERATING

DEFENSE DRONE MARKET SEGMENTS: CURRENT VS. FORECAST



COUNTER-UAS GLOBAL MARKET: US + NATO + ALLIES



| SEGMENT | CURRENT SIZE | FORECAST | CAGR | CHARACTER |
|-----------------------|----------------|-----------------|-------|--|
| ISR Drones | \$6.5B (2024) | \$15.2B by 2034 | 8.8% | Largest segment. Mature, steady growth. AI-enabled payloads driving upgrade cycle. |
| Counter-UAS (Global) | \$6.6B (2025) | \$20.3B by 2030 | 25.1% | Fastest absolute \$ growth. Ukraine + NATO urgency. Netherlands alone: €3.5B. |
| Military Cargo | <\$1B (2024) | \$7.3B by 2035 | 90.7% | Highest % growth. Emerging. Autonomous resupply for contested logistics. |
| Total Military Drones | \$40.5B (2024) | \$87.6B by 2030 | 13.9% | North America 39% share. US = 85% of North America. Accelerating post-Ukraine. |

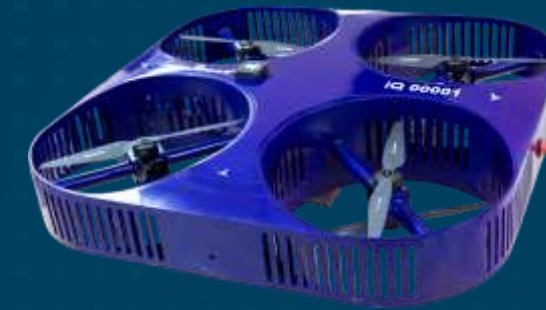
OUR DRONES



ZD 1000



IQ QUAD



IQ SQUARE



IQ NANO



IQ AQUA

Upcoming

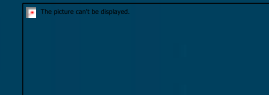
ZD2000

IQ GLIDER

INTERCEPTOR P-1

*For Graphic Reference Only

ZENADDRONE PRODUCTS – ZD1000



| | ZD 1000 |
|---------------------|---|
| Dimension | 7 x 12' |
| Price | \$100-250K plus software |
| Applications | <ul style="list-style-type: none">• Defense Applications – inspection, surveillance, reconnaissance, cargo and border patrol• Precision Agriculture – sprayer attachment and scanners• Gas Version in Development – flies for several hours• Proprietary DroneNet Communications System• Completed Paid Trials with Air Force and Navy |



ZENADRON – IQ SERIES



| | IQ SQUARE | IQ NANO | IQ QUAD | IQ AQUA |
|---------------------|--|--|--|---|
| Dimension | 40 x 40" and 50 x 50" | 20 x 20" and 30 x 30" | | 475 x 338 x 254 mm |
| Price | - | \$3-5K plus software | | |
| Applications | <ul style="list-style-type: none"> • Land Surveying • Construction • Urban Planning • Public Works | <ul style="list-style-type: none"> • Inventory Management • Indoor security & surveillance • Facility & Maintenance Inspections | <ul style="list-style-type: none"> • Land Surveying • Construction • Urban Planning • Public Works | <ul style="list-style-type: none"> • Mine detection and countermeasure support • Covert underwater ISR • Port and harbor threat detection • Autonomous underwater inspection • Underwater surveillance |
| |  |  |  |  |

ZENADRONES – COUNTER-UAS SOLUTIONS



| | ZenaDrone 2000 | IQ Glider | Interceptor P-1 |
|--------------|--|--|--|
| Overview | An AI-powered autonomous drone designed for aerial surveillance and threat detection. | An Autonomous maritime platform designed for coastal surveillance and counter-drone deployment.. | A low-cost autonomous drone designed for mid-air interception of hostile UAVs. |
| Applications | <ul style="list-style-type: none"> • Airspace monitoring & detection • Threat tracking • Base & infrastructure surveillance | <ul style="list-style-type: none"> • Coastal & port security • Maritime drone defense • Sea-based deployment platform | <ul style="list-style-type: none"> • Autonomous drone interception • Swarm neutralization • Point defense for critical assets |

DRONE AS A SERVICE

AI Autonomy Platform- Drone Services via Subscription-based & Pay-per-use, for Business & Government

No Need for Capital Purchases, Drone Pilots, Maintenance or Regulatory Concerns

Roll-Up Strategy

Existing Customer Relationships, Multi-Decade, Profitable Businesses- Legacy, Low-Tech, Ripe for Drone Innovation

| | |
|----------------|--|
| Phase 1 | Acquire Land Survey Engineering, Inspection, Power washing Company |
| Phase 2 | Integrate Drones, DaaS Branded Business- Achieve Workflow Efficiencies, Margin & Revenue Growth, Add Multiple Drone Services |



*For Graphic Reference Only

Powerline Inspection



Maintenance Inspection



Land Surveys



Inventory Management



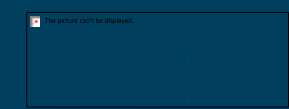
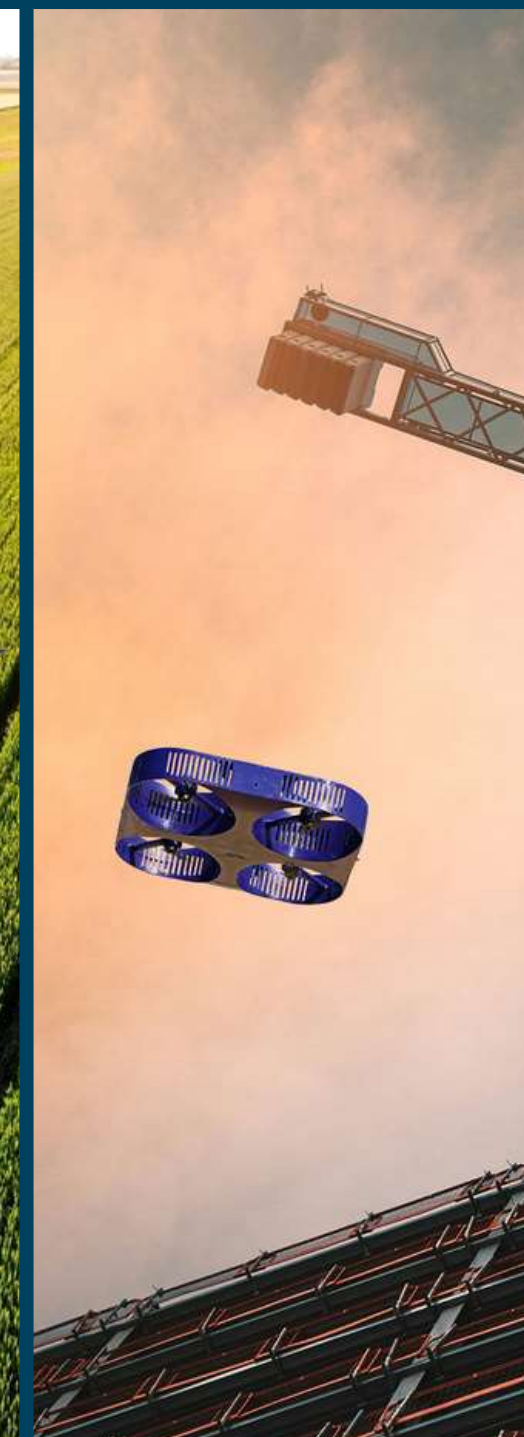
Power Washing



Precision Agriculture

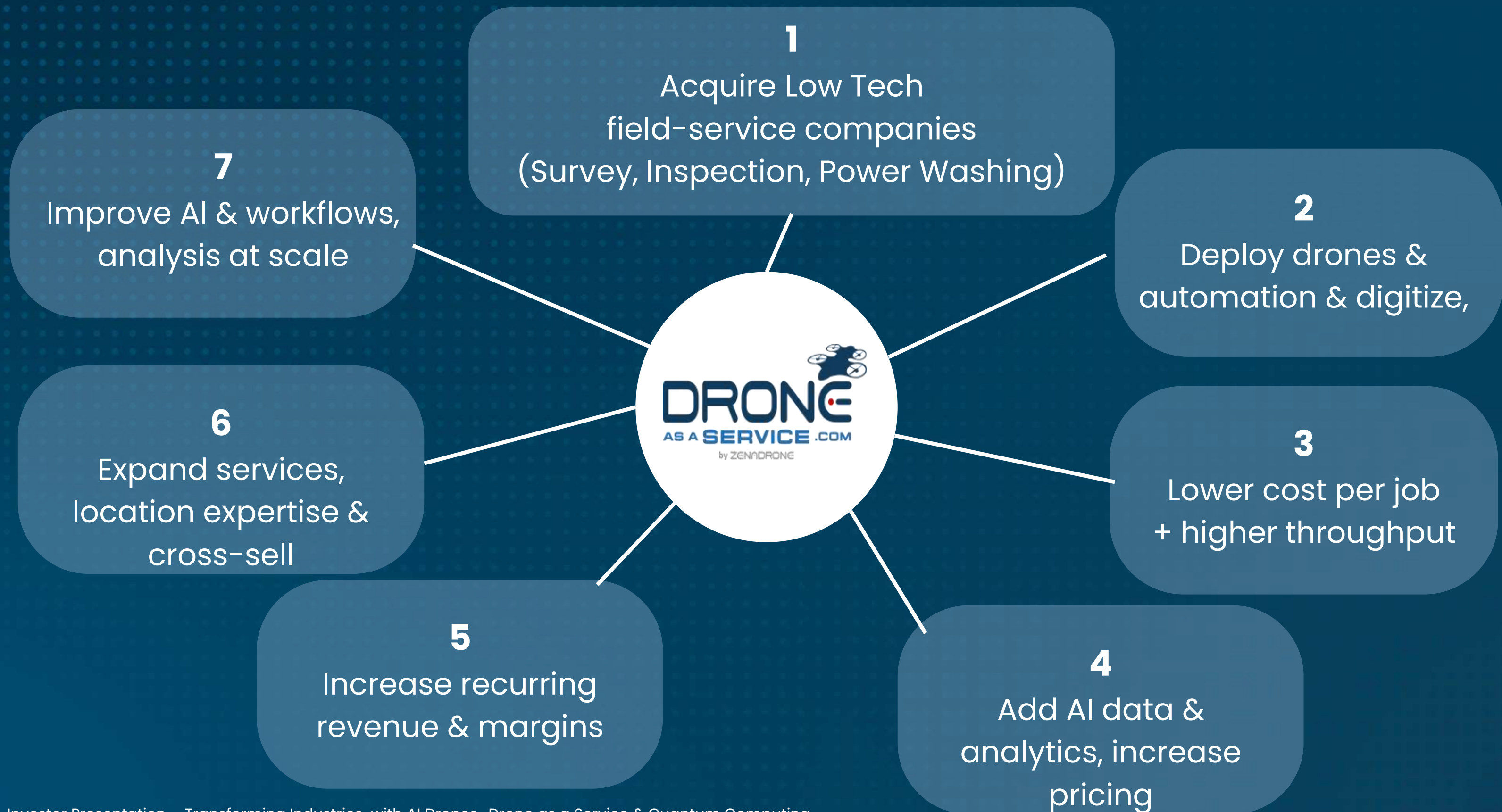


Solar Inspection



*For Graphic Reference Only

DaaS VALUE CREATION FLY WHEEL



DRONE MANUFACTURING

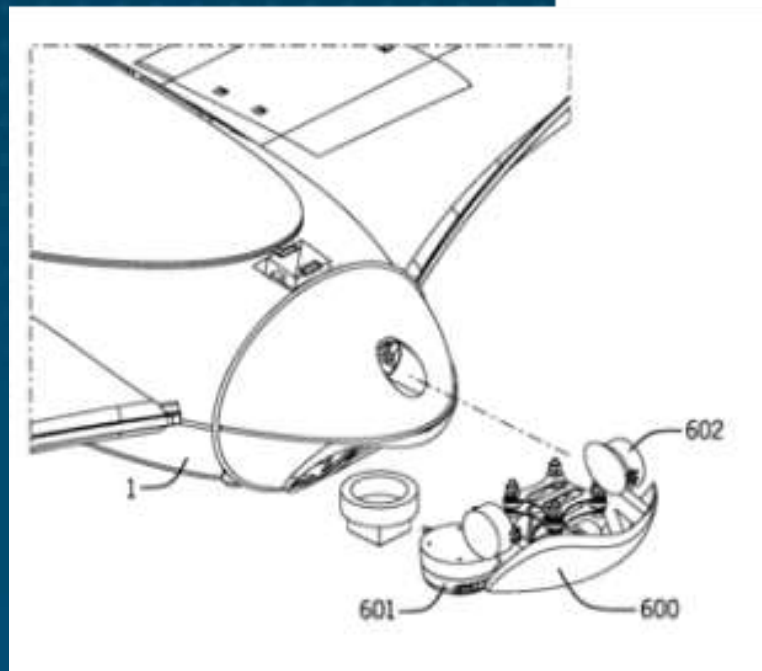
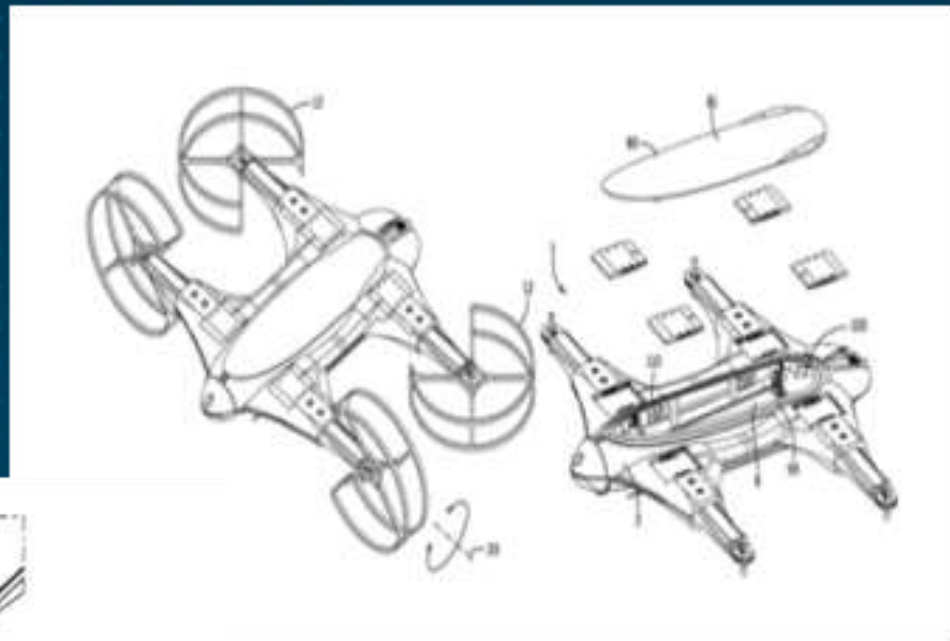
- **UAE production facility** established 2022, expanded to 10,000 sq feet in 2023, expanded again to 22,000 sq feet this year
- Produced and tested 14 successive prototypes of ZenaDrone 1000, #15 is Production model
- Production capability of 10-15 ZenaDrone 1000 models per month
- Production capability of 25+ IQ Nano/IQ series drones per month
- **Arizona production facility**– R&D, sales, aerial testing, commissioning manufacturing site for US Domestic & Military drones
- **Spider Vision Sensors, Taiwan**, established Nov. 2024, expanded manufacturing facility in Dec. 2025. US military-compliant supply chain– cameras, sensors, motors, PCBs



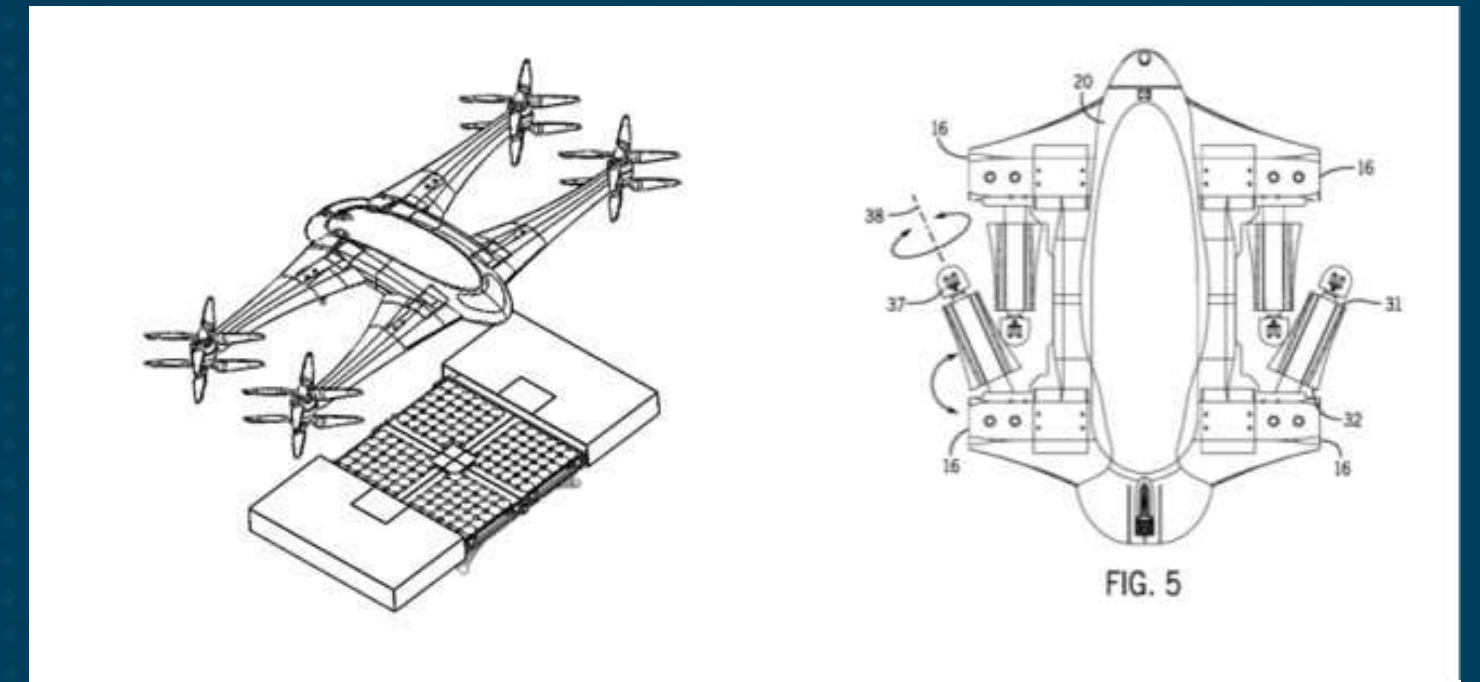
IP PORTFOLIO OVERVIEW

2 Patents for Drone Design

- ZenaDrone 1000 including interchangeable sensor nose cone

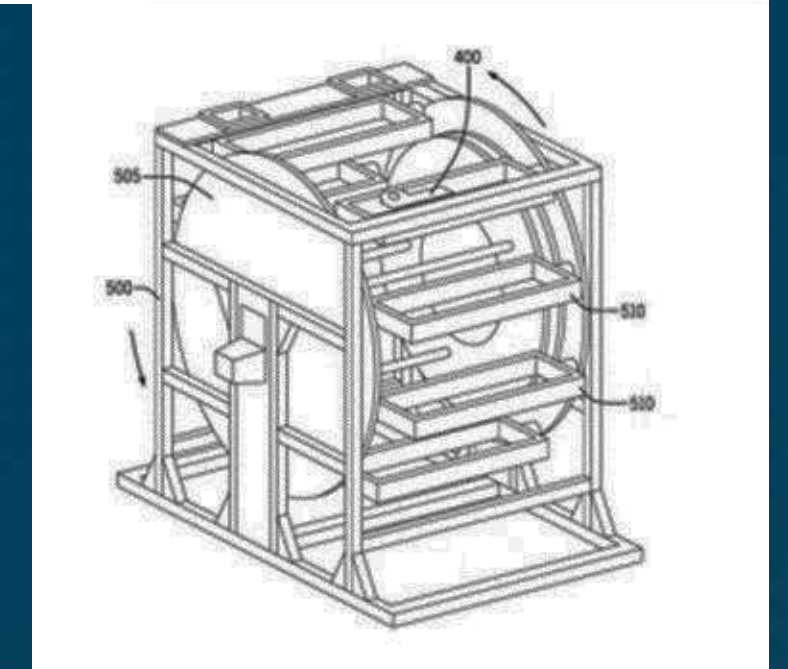


*For Graphic Reference Only



2 Patents for Drone Attachments including:

- Drone with extendable and rotatable wings and multiple accessories securing panel
- Charging/Re-Charging Drone Assembly Systems and Apparatus Pad



REGULATORY APPROVAL STATUS

| Country | Regulatory Body | Approval Status |
|---|--|--------------------|
| USA – Medium Large Category | FAA–Federal Aviation Administration | Granted |
| USA – Part 137 Spraying License | FAA–Federal Aviation Administration | Granted |
| UAE | Dubai Civil Aviation Authority and Ministry of Defence | Granted |
| USA – Green UAS (ZD1000 IQ Square Nano) | The Association for Uncrewed Vehicle Systems International | In-progress |
| USA – Blue UAS (ZD1000 IQ Square Nano) | Department of War | Pathway from Green |
| Turkey – BVLOS Testing | Directorate General of Civil Aviation (SHGM) | In-progress |
| Ireland | Irish Aviation Authority | In-progress |
| Canada | Transport Canada | In-progress |

EXECUTIVE LEADERSHIP TEAM



Shaun Passley, PhD | Chairman & Chief Executive Officer

- Over 25 years of expertise in the software industry, more than 10 years leading public companies
- Serves as CEO and Chairman of the Board of ZenaTech
- Holds a PhD in Business Management and a master's in business administration from Benedictine University. Also has four master's degrees; a Master of Law from Northwestern University, a Master of Science in Information Technology from DePaul University, and a Master of Science in Product Design from Northwestern University
- A distinguished figure in the tech and business world



James Sherman, CPA | Chief Financial Officer

- Has worked for 30 years as a Certified Public Accountant (CPA). Graduated with Honors from Northern Illinois University
- Started career at a Fortune 500 telecommunications firm, rising through the ranks of finance roles
- Served as Treasurer for a \$3.5 billion division of Sprint Corporation, led a \$50 million cost-saving initiative
- CFO of a \$90 million national transportation and distribution company, led a turnaround from potential bankruptcy to ready for sale
- Served as CFO for Carry Corporation, a \$250 million division of Mitsubishi Corporation



James Sherman, CPA | Chief Technology Officer

- 18 years of professional experience and expertise in software and drone technologies
- Holds Master of Science in Software Engineering degree from Blekinge Tekniska Högskola (BTH) in Sweden, an MBA from AIU in Pakistan, and a BS - Computer Science from PUCIT in Pakistan
- Held leadership positions with the ZenaTech group of companies, now focused on ZenaDrone solutions and integration
- Held CTO and other leadership and technical roles for multiple European technology firms

PATH FORWARD

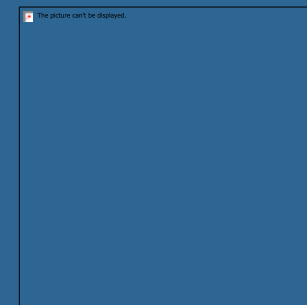
- Green UAS/Blue UAS Certification in progress, Business Development for Defense Contracts
- Manufacturing Goals- Expanding Production, Manufacturing facilities, and set up of Zena AI for Defense
- Closing 25 Acquisitions by June, 2026
- Integrating drones/Scaling Branded Drone as a Service, Multi-Services AI Drone business and locations
- Advancing solutions- Indoor Inventory Drone, Agriculture Drone, Defense systems
- Advancing R&D Projects – AI Drone Fleets, next gen Applications and Quantum Computing





Contact Information:

Linda Montgomery
VP, Corporate Development
investors@zenatech.com



zenatech.com